
(ZD-0304) 12 LAMPS LED BULB

Data Sheet

Description:

These 12 LAMPS LED

Bulbs are specifically designed for flashlight electric equipment, indicator light switch and where a wide view angle.

The 5mm round shaped radiation pattern (20°) and high luminous intensity ensure that these devices are excellent for wide field

of view outdoor applications where a wide viewing angle and readability in sunlight are essential.

High efficiency LED materials are used in this Bulb.

Every lamp is made with an advanced optical grade epoxy offering superior high shock and high temperature resistance in outdoor applications.

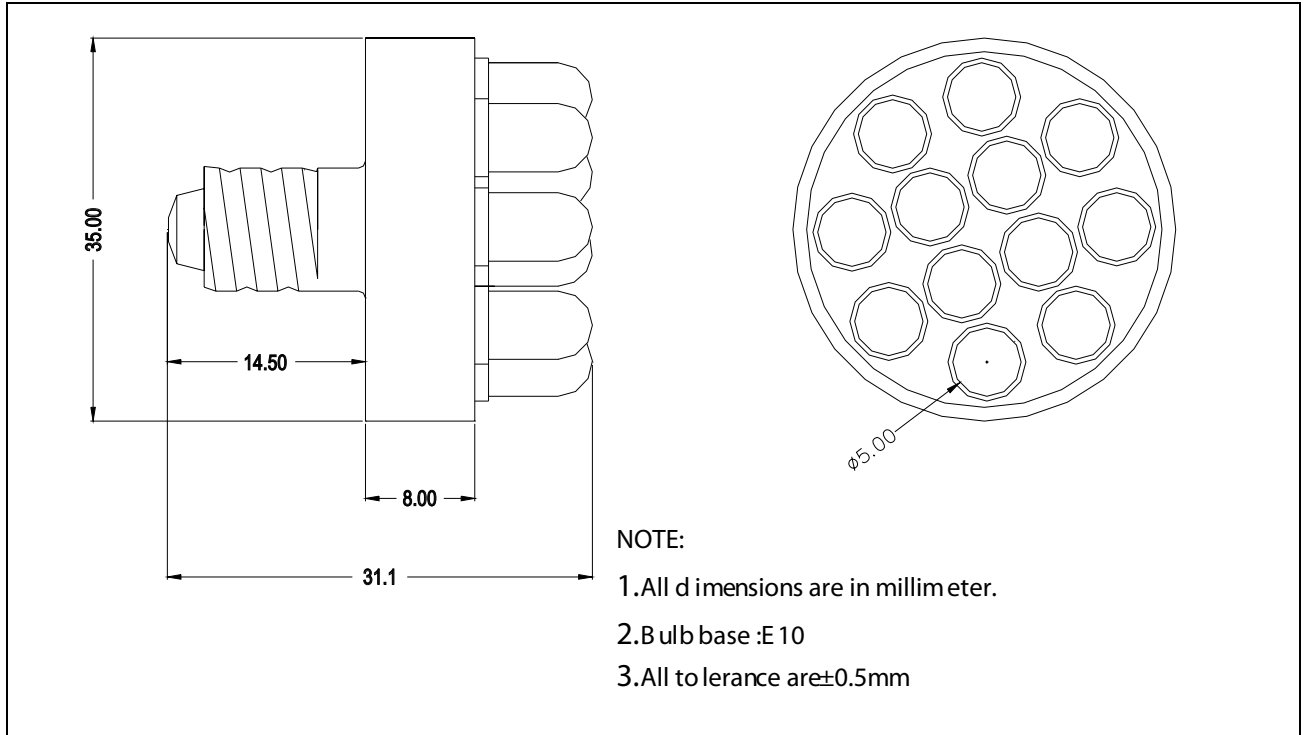
Feature:

- * Wide view angle
- * High luminous output
- * Seven kind color
- * Solid-state Vibration resistant
- * Saving power
- * Long life

Part No.: AB-125W3-6VD-E

12 Lamp LED Bulb

PACKAGE DIMENSIONS:



Part No.: AB-125W3-6VD-E

12 Lamp LED Bulb

FEATURE :

- SUPER LUMINOSITY WHITE LED (InGaN).
- WATER CLEAR PACKAGE.
- 5mm ALL RESIN MOLD.
- WIDE VIEWING ANGLE.
- BASE MODEL E10
- ELECTRIC DC

ABSOLUTE MAXIMUM RATING:

Ta = 25

- PEAK OPERATE VOLTAGE..... 6V
- OPERATING TEMPERATURE..... -25 TO +85
- STORAGE TEMPERATURE..... -35 TO +100
- LED BULB LIFE..... 20000 HOURS

(LUMINANCE REDUCES to 50%)

ABSOLUTE OPTICAL CHARACTERISTIC $T_a=25^\circ\text{C}$

PARAMETER		SYMBOL	MIN	TYP	MAX	UNIT
Operate Voltage DC		V	----	6		V
Luminous Intensity	$I_F=220\text{ mA}$	I_v	86	108	----	cd
Chromaticity Coordinates	$I_F=220\text{ mA}$		X		Y	
			0.31		0.32	
Spectrum Radiation Bandwidth	$I_F=220\text{ mA}$	$\Delta\lambda$	----	----	----	nm
Forward Current	$V_{IN}=6\text{ V DC}$	I_F	----	220	----	mA

COLOR RANKS:

Conventional A-Rank (Approximate Color Temperature: 6,500-10,000K)

	Rank A			
X	0.280	0.264	0.283	0.296
Y	0.248	0.267	0.305	0.276

Conventional B-Rank (Approximate Color Temperature: 5,500-6,500K)

	Rank B0			
X	0.287	0.283	0.330	0.330
Y	0.295	0.305	0.360	0.339

	Rank B1			
X	0.296	0.287	0.330	0.330
Y	0.276	0.295	0.339	0.318

Conventional C-Rank (Approximate Color Temperature: 4,500-5,500K)

	Rank C			
X	0.330	0.330	0.361	0.356
Y	0.318	0.360	0.385	0.351